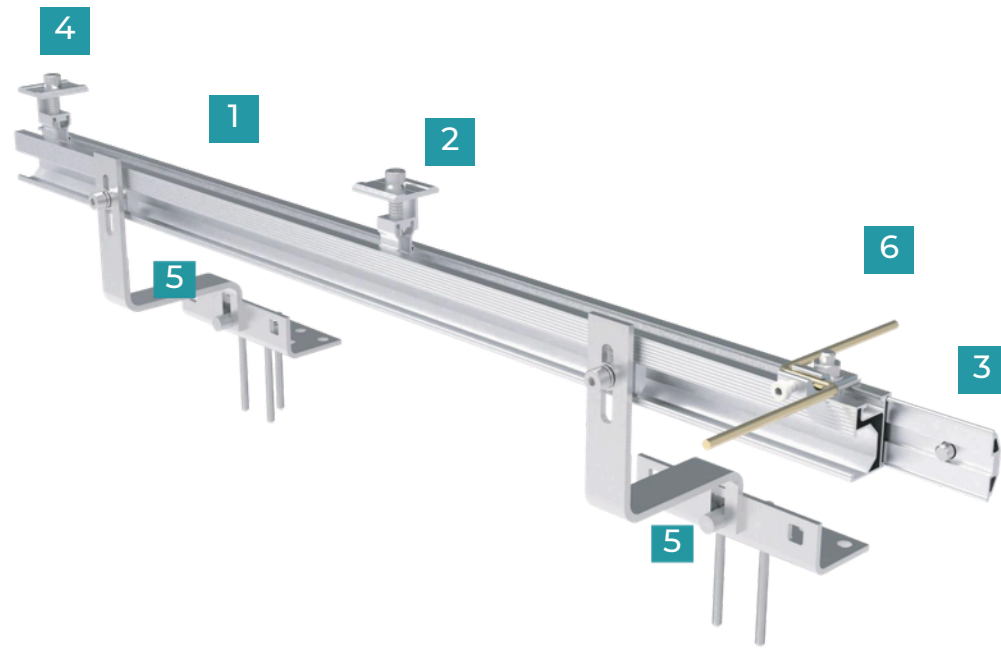


## Tile Hook Solar Mounting System



# Rail

## Code: BTR-04



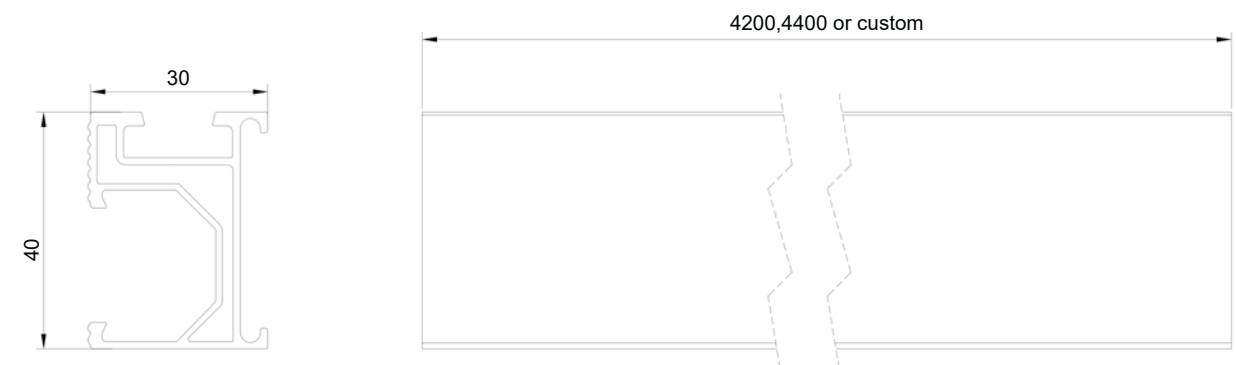
### Mechanical Properties

Material	Aluminum 6005 T5
Finish	Natural or black anodized
Ultimate Tensile Strength	250Mpa
Yield Strength	195Mpa
Weight	0.74kg/m

### Section Properties

Cross section area	A=233.519mm <sup>2</sup>
Section area moment	S3=47094.83mm <sup>4</sup> S2=21829.76mm <sup>4</sup>
Section modulus	Wx(MIN)=2188.95mm <sup>3</sup> Wy(MIN)=1400.75mm <sup>3</sup>
Size available	4200mm/4400mm/custom

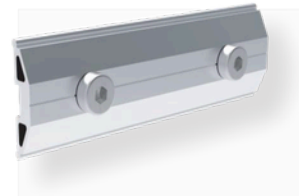
### Dimensions in mm



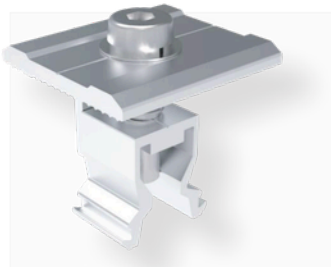
1 Rail



2 Universal Clamp (Mid)



3 Rail Splice



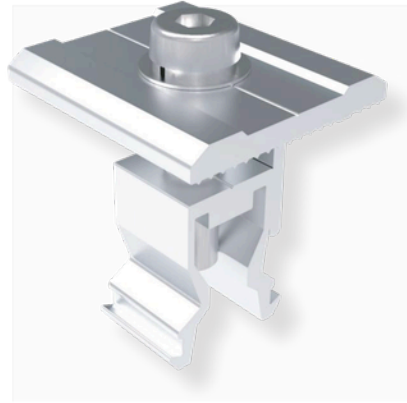
4 Universal Clamp (End)



5 Hook

# Universal Clamp (Mid)

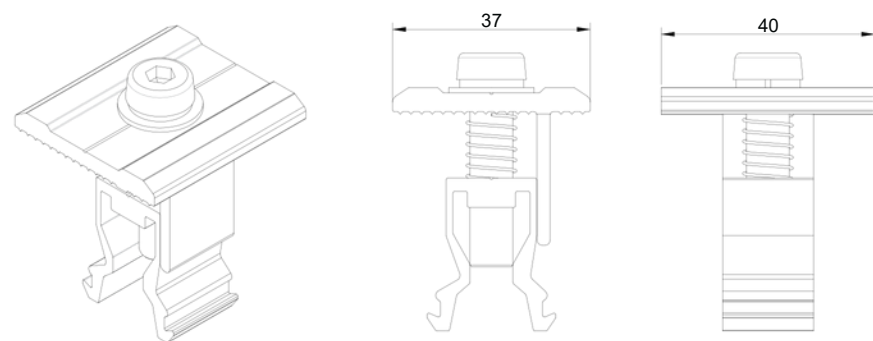
Code: BMC-08



Item No.	Description	Material
1	Universal Clamp (Mid)	Aluminum 6005 T5, anodized
2	Hex bolt	Stainless steel 304
3	Sping Washer	Stainless steel 304
4	Expansion Module	Aluminum 6005 T5,anodized
5	Spiral spring	Stainless steel 304

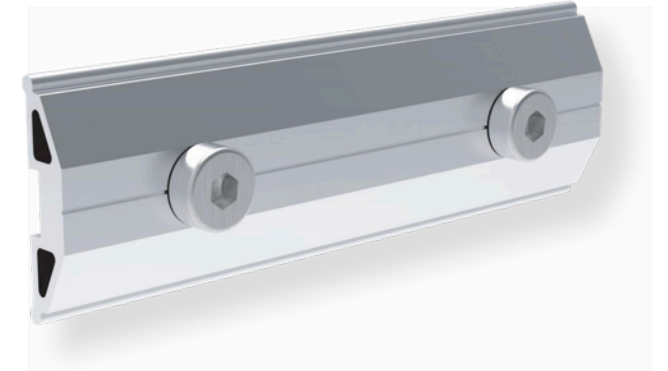
Technical data	
Ultimate tensile strength	Avg 9.3KN
Scope of application	Used with Rail-R40
Compatible module	Framed module
Size available	30/33/35mm

Dimensions in mm



# Rail Splice

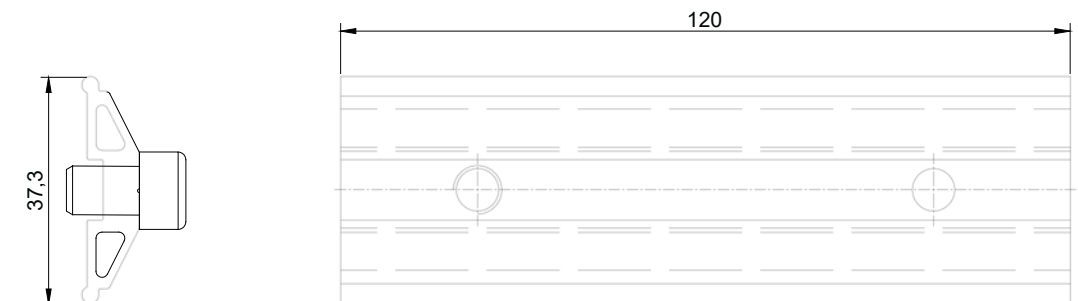
Code: BTJ-03



Item No.	Description	Material
1	Rail splice	Aluminum 6005 T5, anodized
2	Hex bolt	Stainless steel 304

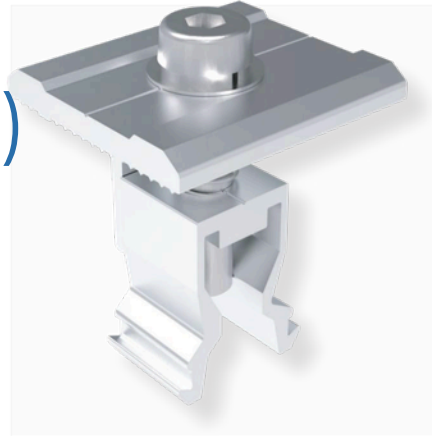
Technical data	
Ultimate tensile strength	Avg 7.1KN
Scope of application	Used with Rail-R40
Compatible module	Framed module
Size available	120mm

Dimensions in mm



# Universal Clamp (End)

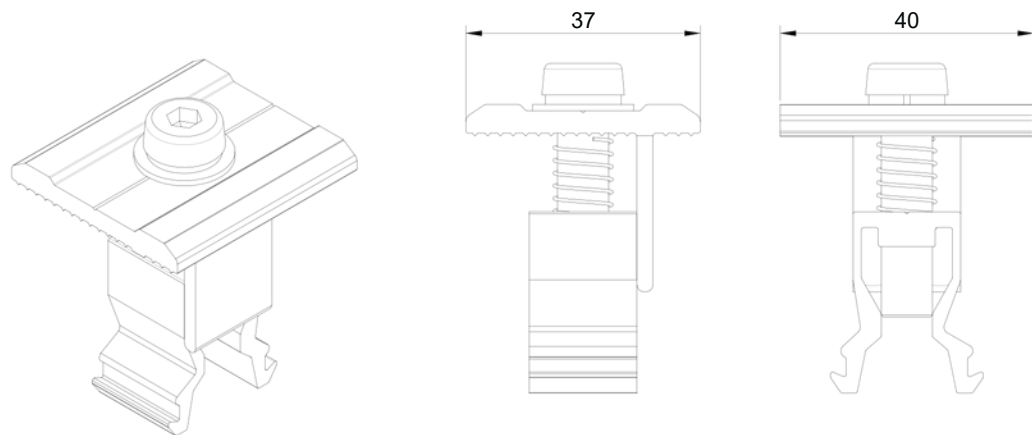
Code: BMC-08



Item No.	Description	Material
1	Universal Clamp (End)	Aluminum 6005 T5, anodized
2	Hex bolt	Stainless steel 304
3	Sping Washer	Stainless steel 304
4	Expansion Module	Aluminum 6005 T5,anodized
5	Spiral spring	Stainless steel 304

Technical data	
Ultimate tensile strength	Avg 6.3KN
Scope of application	Used with Rail-R40
Compatible module	Framed module
Size available	30/33/35mm

Dimensions in mm



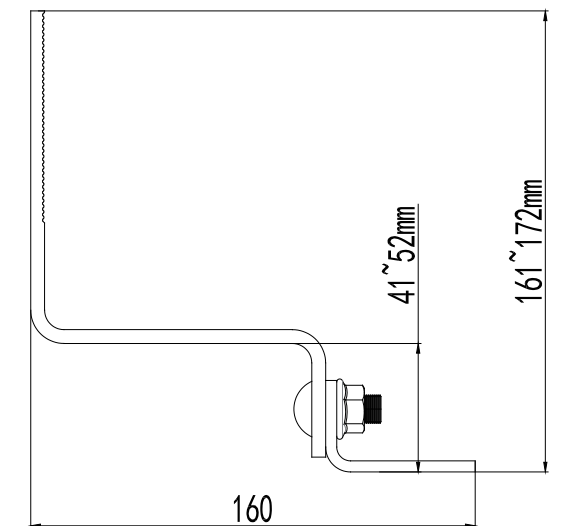
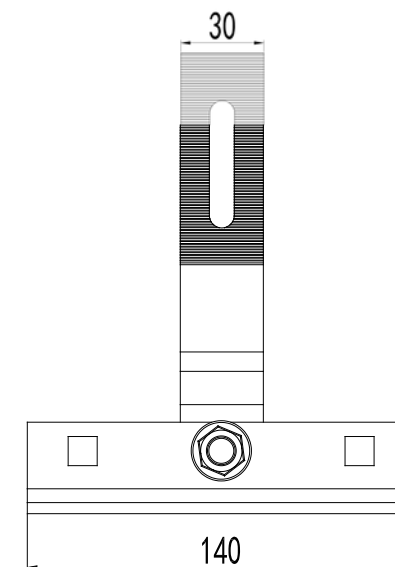
# Hook

Code: BETH01




Item No.	Description	Material
1	Hook	Stainless steel 304
2	T nut	Aluminum 6005 T6, anodized
3	Hex bolt	Stainless steel 304
4	Wooden screw	stainless steel 304

Works with Spanish tile roof profile





---

 +34 985 194 232

 [www.bexiegroup.com](http://www.bexiegroup.com)

 Calle Peña Santa 68 B, Polígono Industrial Silvota, 33192, Llanera, Asturias, Spain